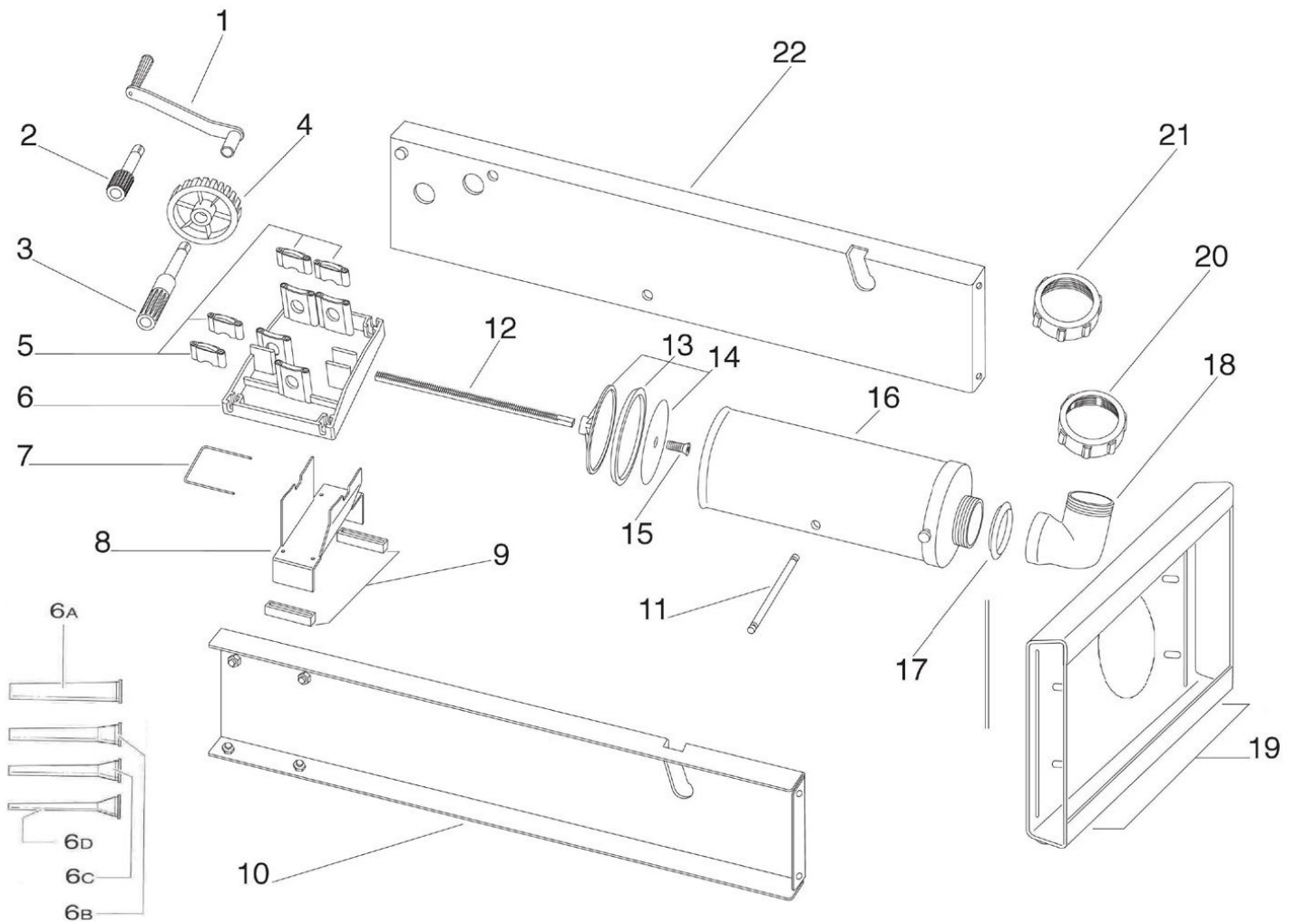


PARTS BREAKDOWN

ITEM

48160



PARTS BREAKDOWN

ITEM

48160

| Item No. | Description | Position | Item No. | Description | Position | Item No. | Description | Position |
|----------|--|----------------|----------|---|----------|----------|--|----------|
| AQ091 | Crank for 48160 | 1 | AQ097 | Crankcase Gears Vertical Series for 48160 | 8 | AQ105 | Corner Junction Gasket Vertical Series for 48160 | 17 |
| 45090 | Forward Motion Pin (Slow) for 48160 | 2 | AQ098 | Rubber Foot for 48160 | 9 | AQ106 | Corner Junction Vertical Series for 48160 | 18 |
| AQ092 | Backward Motion Pin (Fast) for 48160 | 3 | AQ100 | Crossbar Casing 3kg for 48160 | 11 | AQ107 | Inox Foot Vertical Series 3kg for 48160 | 19 |
| AI869 | Large Tooth Gear Sausage Stuffer for 48160 | 4 | AQ101 | 3kg Rack for 48160 | 12 | AQ108 | Aluminum Nut for 48160 | 20 |
| AQ093 | Couple Clamps for 48160 | 5 | AQ102 | Seal Buffer for 48160 | 13 | AQ109 | Ring Nut Vertical Series for 48160 | 21 |
| AQ094 | Flange Complete for 48160 | 6 | AQ103 | Buffer+Cover for 48160 | 14 | AQ111 | 3kg Red Casing for 48160 | 23 |
| AQ095 | Set of Filling Tubes for 48160 | 6a, 6b, 6c, 6d | AQ104 | Inox Screw 8x40 for 48160 | 15 | | | |
| AQ096 | Tube Lock for 48160 | 7 | AQ112 | 3kg Stainless Steel Tube for 48160 | 16 | | | |